

SLT 2907 – 22.5 x 9.00" Design

Forged light alloy wheels for commercial vehicles and buses

Truck
speedline



- ▶ Highest payload of its class - 4 250 kg
- ▶ Particular low weight
- ▶ Diamond and mirror polished surface
- ▶ Bolt hole diameter 26 and 32 mm

Wheels developed for the mounting of tubeless tires.

Wheel size	Wheel code	Surface finish	Bolt hole Ø (mm)	ET (mm)	Max. payload (kg)	Average weight (kg)	Centre bore Ø (mm)	Mounting hole PCD Ø (mm)	Number mounting holes	Disk thickness (mm)
22.5 x 9.00"	SLT 2907 AM	Diamond	26	153	4 250	23.7	281	335	10	22.0
	SLT 2907 APH	Mirror polished internal/external	26							
	SLT 2907 BM	Diamond	32							
	SLT 2907 BPH	Mirror polished internal/external	32							

Light wheels for heavy weights

ABE-TÜV:**APPROVED TIRE SIZES:****VALVE:****LOCKING TORQUE OF THE VALVE:****MAXIMUM TYRE PRESSURE:****APPROVED BALANCE WEIGHTS:****STUD TORQUE WHEEL NUT:**

KBA 49856

e.g. 315/60 R22.5, 315/70 R22.5, 315/80 R22.5, 12 R22.5

SPEEDLINE TRUCK article number: SLT-003

3 - 5 Nm

9.5 bar or the lower value recommended by the tire producer

Clip-on and adhesive weights for alloy wheels for commercial vehicles

600 – 680 Nm

For wheel nuts M22 x 1.5, 7/8"-11 BSF, 7/8"-14 UNF

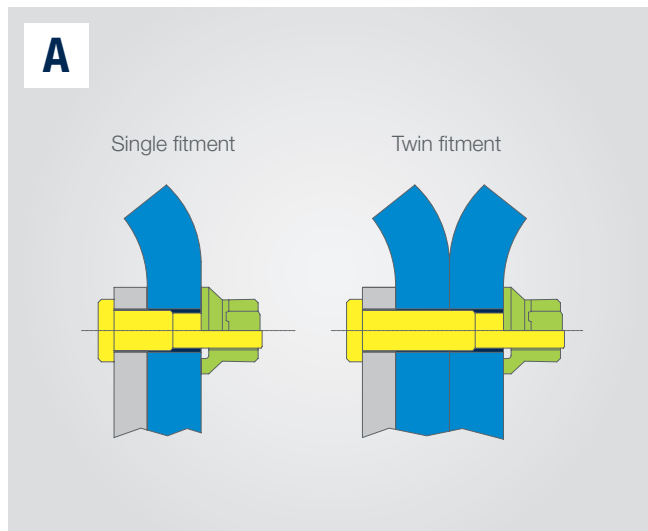
SLT 2907: Mounting instructions

Mounting type A

The SPEEDLINE TRUCK forged light alloy wheels can be mounted according to the „M“ system (see picture A), following the ISO standard 4107. Prior to mounting it is required to check if the vehicle is equipped for the mounting of light alloy wheels SLT 2907, as these wheels have a larger flange thickness than steel wheels.

It is important to assure that:

1. the base on the hub measures at least 10 mm for single fitment and 30 mm for twin fitment.
2. the length of the studs from the hub flange corresponds at least to the sum of the nut length and the wheel flange thickness ./ 2 wheels flange thicknesses with twin fitment - according to DIN 74361, part 3.



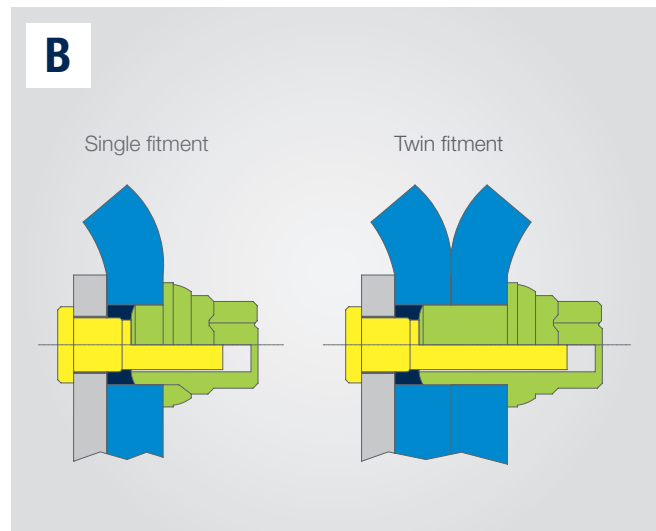
Mounting type B

If a vehicle is not equipped for the mounting of light alloy wheels or the user wants to avoid to substitute the bolts then, as an alternative, the following solution may be applied (see picture B):

1. Shank nuts M22 x 1.5, 7/8"-11 BSF, 7/8"-14 UNF.
2. Wheels with larger bolt holes ($B = \text{Ø } 32 \text{ mm}$)

both approved by TÜV.

By the use of the extended thread of the shank nut, optimised and precise fitting will be achieved.



Please pay attention to ensure the appropriate number of turns between shank nut and stud:

13 for M22 x 1.5 (approx. 20 mm), 8 for 7/8"-11 BSF (approx. 19 mm), 12 for 7/8"-14 UNF (approx. 22 mm).

Advice

Forged SPEEDLINE TRUCK light alloy wheels are not lacquered, manufactured out of highly corrosion resistant alloy T6061.

All forged SPEEDLINE TRUCK light alloy wheels are warranted for 5 years from the manufacturing date without mileage limitation.

www.speedline-truck.com

All information is subject to change. SPEEDLINE TRUCK reserves the right for changes in design and in technical characteristics.

The wheel designs and the content of this product information are protected by copyright.

Release 1.0, May 2014